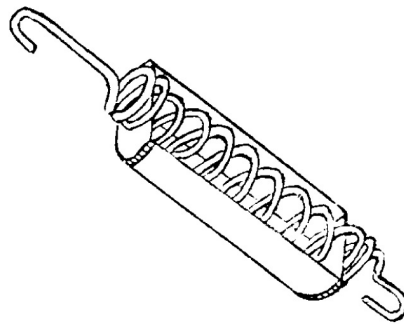




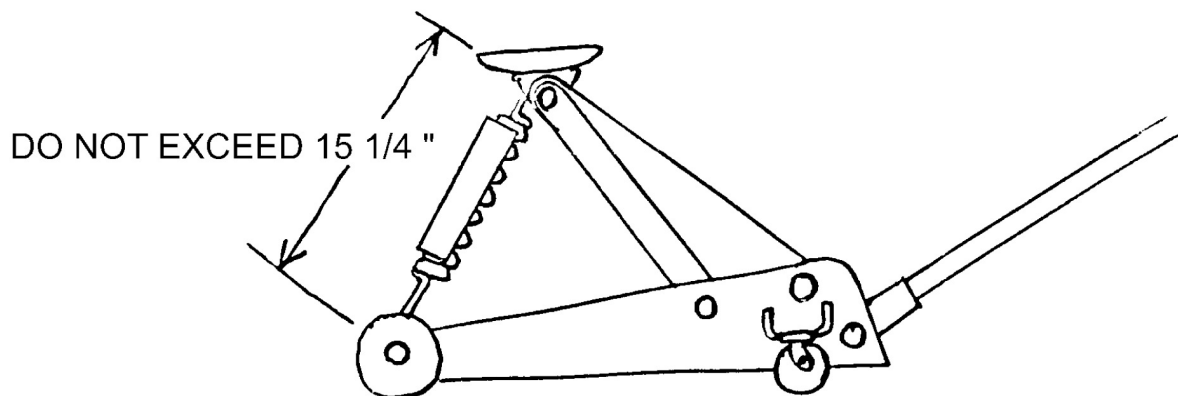
INST.#108

HOOD SPRING REMOVAL/ INSTALLATION TOOL

1. OPEN HOOD TO 13", MEASURING FROM THE TOP OF GRILL TO THE BOTTOM EDGE OF HOOD.
2. INSERT HOOD SPRING TOOL ONTO HOOD SPRINGS AS SHOWN BELOW. MAKE SURE THE TOOL IS INTO THE SPRING COILS AS FAR AS THE WINDINGS WILL ALLOW.



3. RAISE HOOD UNTIL PRESSURE IS OFF SPRINGS. UNHOOK TOP OF SPRINGS FIRST, THEN THE BOTTOM. REMOVE FROM CAR.
4. REMOVE TENSION FROM SPRINGS (AS SHOWN BELOW) TO REMOVE SPRING TOOL FROM SPRINGS. USE A HYDRAULIC FLOOR JACK.



5. REVERSE ALL PROCEDURES LISTED ABOVE TO INSTALL NEW SPRINGS.