

# INST #75

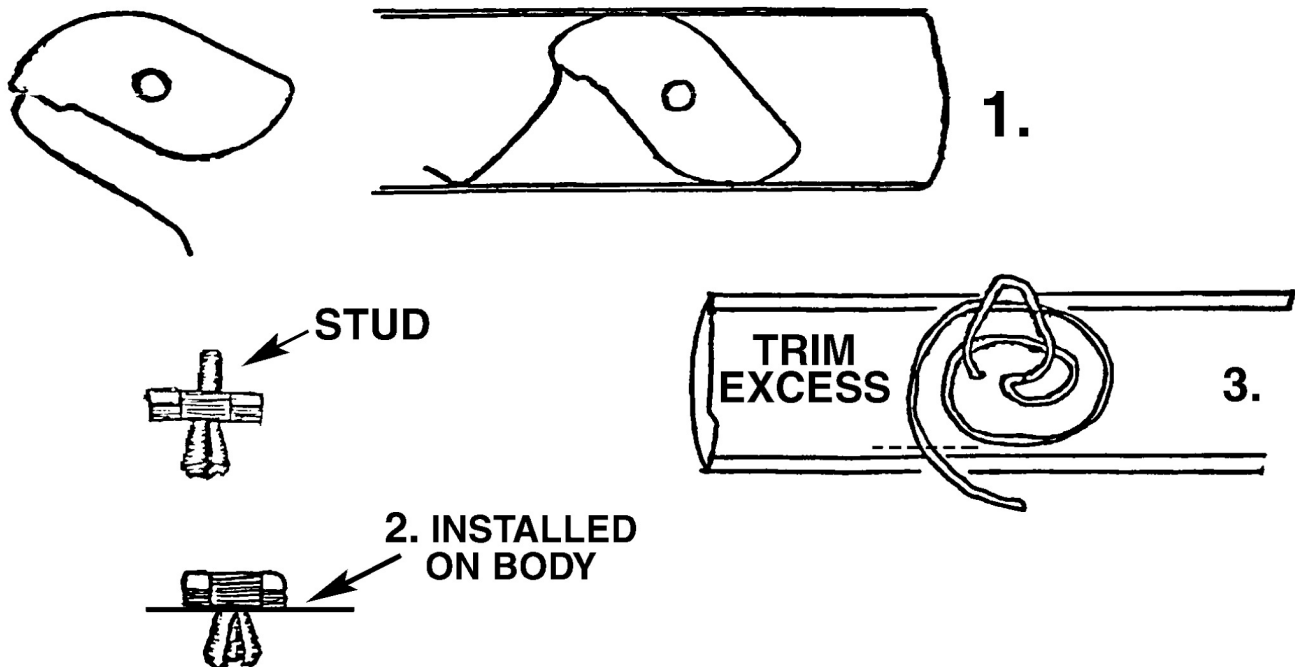
## Installation instructions for replacement moulding clips & bolts:

As with the metal track that originally held the mouldings, the nylon clips must be installed in the body of the car first; then the moulding is snapped into place over them. The nylon clips with a keyhole are fastened to the body with flathead sheetmetal screws (not included in kit).

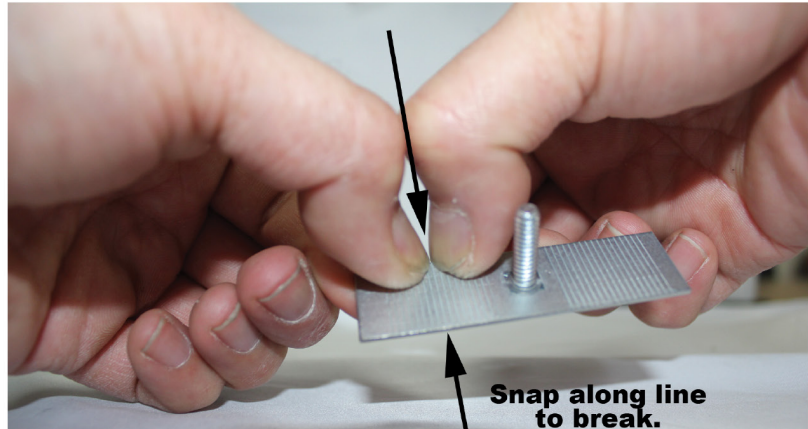
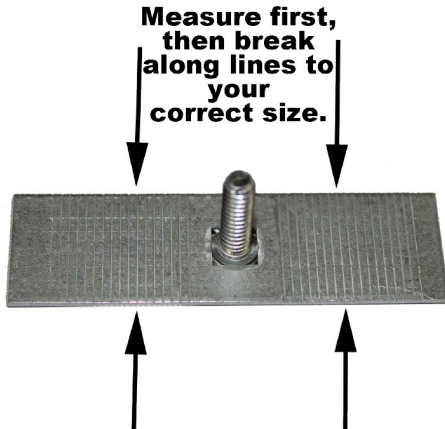
The metal bolts with the leaf shaped head are installed in the moulding first, and are generally located in the front, center, and rear of the mouldings. The tension spring arm on the bolt clip should be bent back during installation. Do this carefully, as it is easy to snap the arm off if too much force is used. See illustration # 1 for details on this procedure.

The small nylon clips used for reveal & upper belt mouldings may have a small stud protruding from the side of the clip that faces into the moulding. DO NOT REMOVE THIS STUD! Install the clips into the body, then push the stud into the clip. This will spread the fingers on the portion of the clip inserted into the body, locking it firmly in place. See Illustration # 2.

The spiral wire type moulding clips are extremely versatile, and can be used in many different applications; however they may need to be trimmed prior to use depending on the size of the moulding. The amount to be trimmed can be determined by gently screwing the spiral clip into the moulding, then removing the clip and using wire cutters to remove the excess. Install the clip by screwing it into the moulding until the end slides under the lip. See illustration # 3.



**How to size #016532 Break-off bolt clips:**



**How to use #016686 nylon belt moulding clips:**

